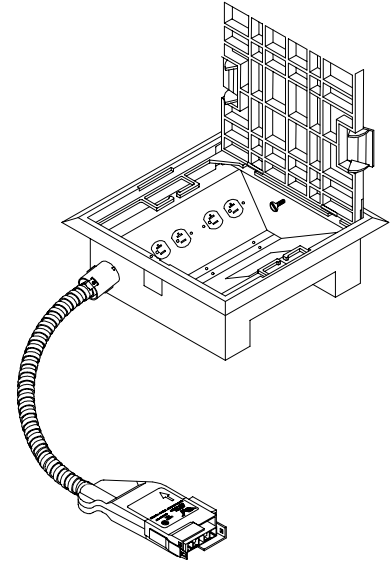


FEATURES

- Fits access floors with 3.5" clearance from finished floor level
- Manufactured with 0.0625 inch galvanized steel
- Capacity for up to two duplex power receptacles
- Capacity for up to one data plate for up to 6 data ports
- Thermoplastic cover includes two integrated cable exits and carpet insert area or optional filler piece
- Optional powder-coated steel cover
- Locking tabs easily actuated to secure AFM to floor tile
- Factory-assembled and pre-wired with ACS modular wiring system
- IBEW-assembled, UL-listed and labeled

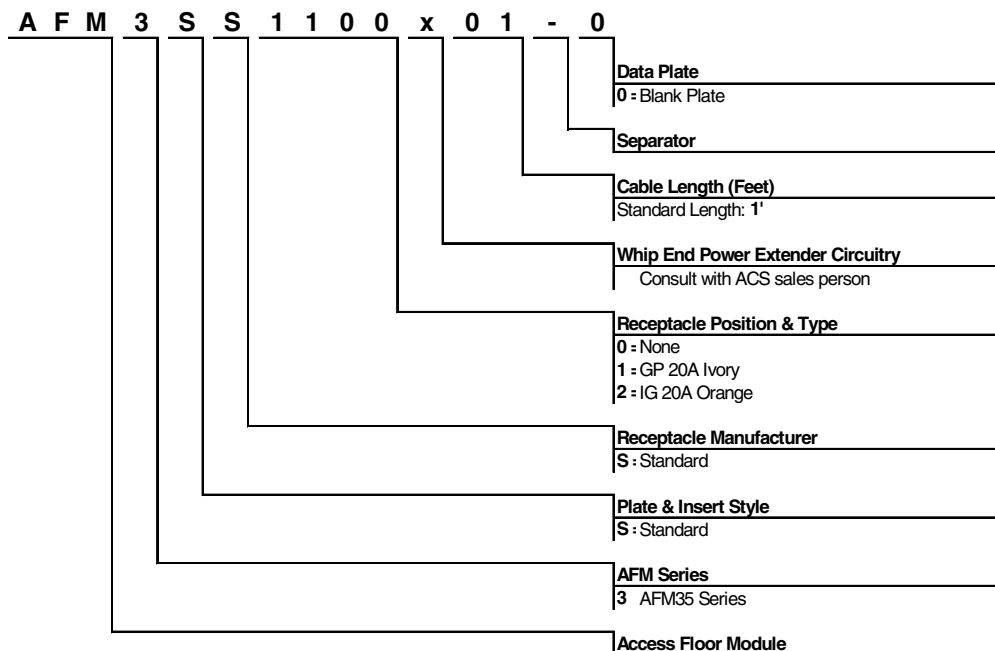


APPLICATION

The **AFM35 Access Floor Module** contains the user interface to power and telecommunications wiring that is distributed below a raised floor. Easily integrated into the Intelligent Floor system, the AFM35 can be equipped with both General Purpose (GP) power and Isolated Ground (IG) power receptacles, as well as industry standard telecommunications connectors from most vendors. The AFM35 is typically supplied factory assembled and pre-wired with a Whip End Power Extender Cable. Custom circuitry configurations and cover colors are available.

ORDERING INFORMATION

Catalog Number

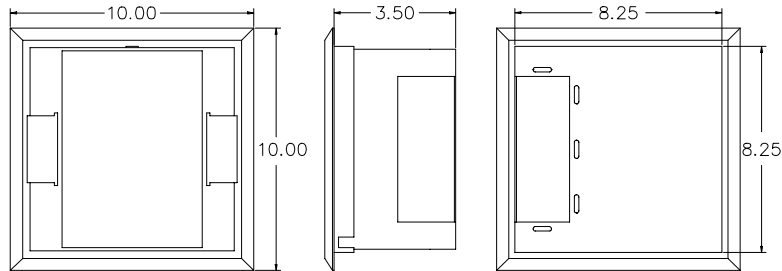


SPECIFICATIONS

Weight	<ul style="list-style-type: none"> with Thermoplastic Cover • 15 pounds with Metal Cover • 20 pounds
Size	<ul style="list-style-type: none"> Box with Cover • 8.25" x 8.25" x 3.5" (L x W x D) Cover Trim Ring • 10" x 10" Floor Tile Cutout • 8.625" x 8.625" Cover Door • 8.25" x 8.25"
Volume	<ul style="list-style-type: none"> Power Wiring Chamber • 39 cu inches Telecom Wiring Chamber • 39 cu inches Cord Chamber • 56 cu inches

Box	<ul style="list-style-type: none"> Material • Steel Finish • Galvanized zinc Thickness • 0.0625 minimum
Thermoplastic Cover	<ul style="list-style-type: none"> Material • Polycarbonate Standard Color • Dark gray
Metal Cover	<ul style="list-style-type: none"> Material • 0.0625" cold-rolled steel Finish • Powder coat Standard Color • Black

KEY DIMENSIONS



SYSTEM VIEW

